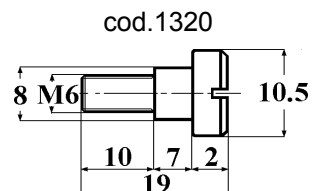
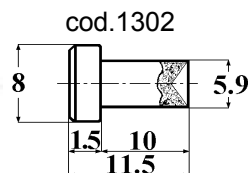
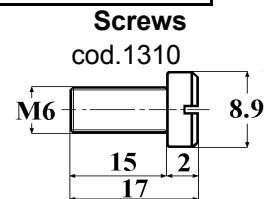
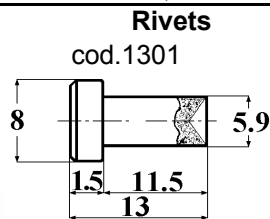
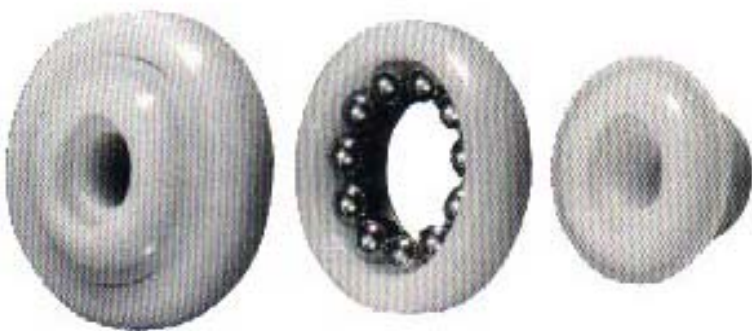




DELTRIN BALL BEARINGS

BEARINGS T/TF5C/ TF5	TYPE	CODE			D	d	d1	e	B	B1	C
		STEEL BALLS	INOX BALLS	DELTRIN B.							
	T 19	2019	3019	4019	19	6	9,30	1,4	6	8,15	0,15
	T 22	2022	3022	4022	22	6	9,15	2,2	6	9	0,5
	T 22 F5C	2522	3522	4522	22	5	10	2,2	6	9	0,8
	T 22 F5	2122	3122	4122	22	5	10	2,2	6	11,5	3,5
	T 24	2024	3024	4024	24	6	9,15	2,2	6	9	0,5
	T 24 F5C	2524	3524	4524	24	5	10	2,2	6	9	0,8
	T 24 F5	2124	3124	4124	24	5	10	2,2	6	11,5	3,5
	T 25	2025	3025	4025	25	6	9,15	2,2	6	9	0,5
	T 25 F5C	2525	3525	4525	25	5	10	2,2	6	9	0,8
	T 25 F5	2125	3125	4125	25	5	10	2,2	6	11,5	3,5
	T 26	2026	3026	4026	26	6	9,15	2,2	6	9	0,5
	T 26 F5C	2526	3526	4526	26	5	10	2,2	6	9	0,8
	T 26 F5	2126	3126	4126	26	5	10	2,2	6	11,5	3,5
	T 28	2028	3028	4028	28	6	9,15	2,2	6	9	0,5
	T 28 F5C	2528	3528	4528	28	5	10	2,2	6	9	0,8
	T 28 F5	2128	3128	4128	28	5	10	2,2	6	11,5	3,5
T 30	2030	3030	4030	30	8	10	2,2	6	8,9	0,5	
T 33	2033	3033	4033	33	8	10	2,2	6	8,9	0,5	

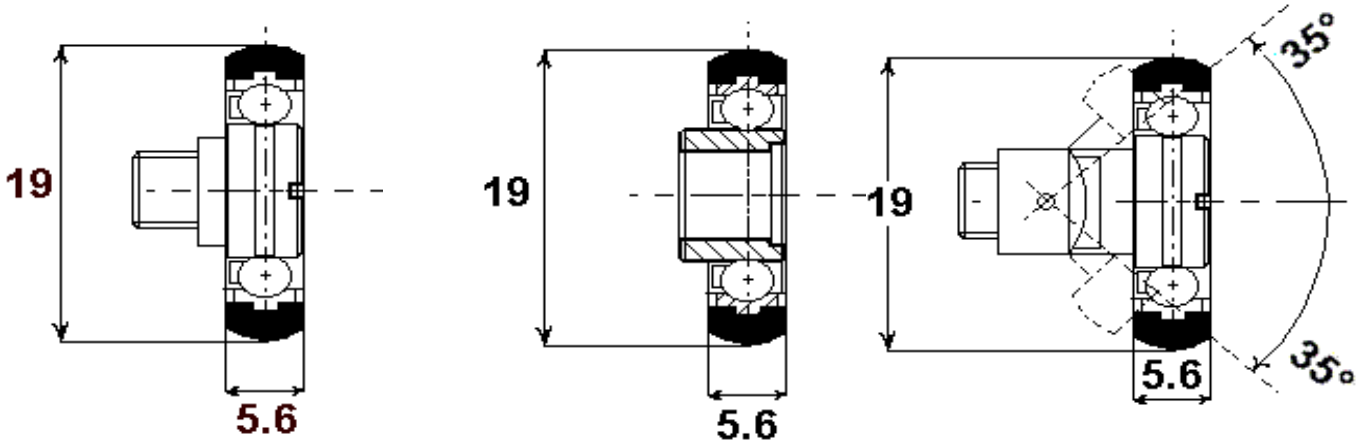
BEARINGS T SF	TYPE	CODE			D	d	H	T	C
		STEEL BALLS	INOX BALLS	DELTRIN B.					
	T 19 SF	2319	3319	4319	19	6	9,3	8,25	2,25
	T 22 SF	2322	3322	4322	22	6	9,2	7,4	0,8
	T 24 SF	2324	3324	4324	24	6	9,2	7,4	0,8
	T 25 SF	2325	3325	4325	25	6	9,2	7,4	0,8
	T 26 SF	2326	3326	4326	26	6	9,2	7,4	0,8
	T 28 SF	2328	3328	4328	28	6	9,2	7,4	0,8
Materials: Rings: Delrin (acetalic resin) Balls: Chrome hardened steel (UNI 100 C6 Tmp) or Stainless INOX AISI 420 or Delrin (acetalic resin)									
Technical Data: Theoretical radial load capacity value is 70Kg at 200 rpm Radial load capacity value in practice over a period of 5 years is 30Kg. At 150 rpm Complete encasement with the rings guarantee perfect protection against dust Resistant to acids and temperatures up to 100°C.									
Uses: Shower Cabins, drawers and doors for furniture, slide-away doors etc.									





BRASS BALL BEARINGS WITH NYLON LINING

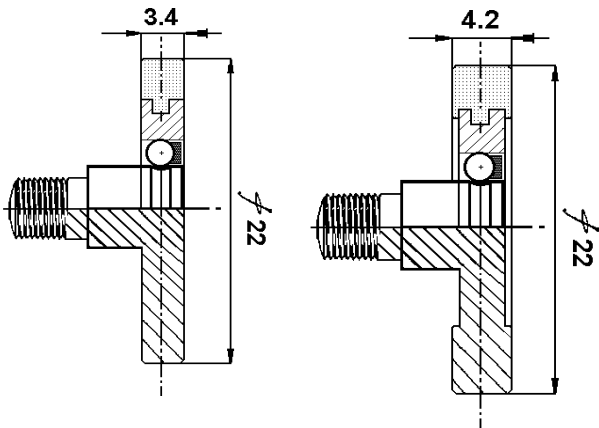
Ball Bearing TRO 19mm thick 5.6mm



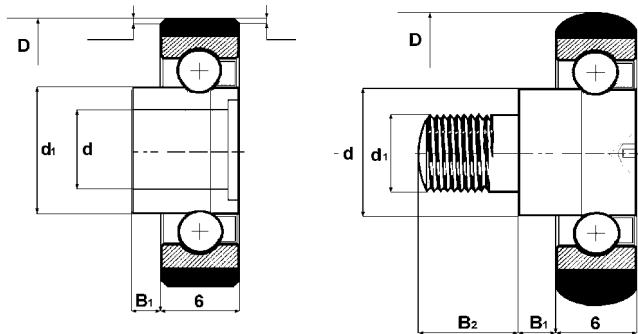
PIN SCREW OR RIVET OR INNER RING OR JOINTED PIN ACCORDING TO CUSTOMER'S DESIGN

Ball bearing TRO 22mm thick 3,4/4,2

Ball bearing TRO 22/24/25mm thick 6mm



STRAIGHT EDGE RONDED EDGE



TRO 22 D=22MM TRO 24 D=24mm TRO 25 D=25mm

PIN SCREW OR RIVET OR INNER RING OR JOINTED PIN ACCORDING TO CUSTOMER'S DESIGN



Materials:
 Outer rings in Brass with nylon lining
 Pins and inner rings in Brass
 Balls Cage in Acetalic resin
 Balls in Stainless INOX AISI 304 or 420
 On request outer and inner rings in
 Stainless INOX AISI 304

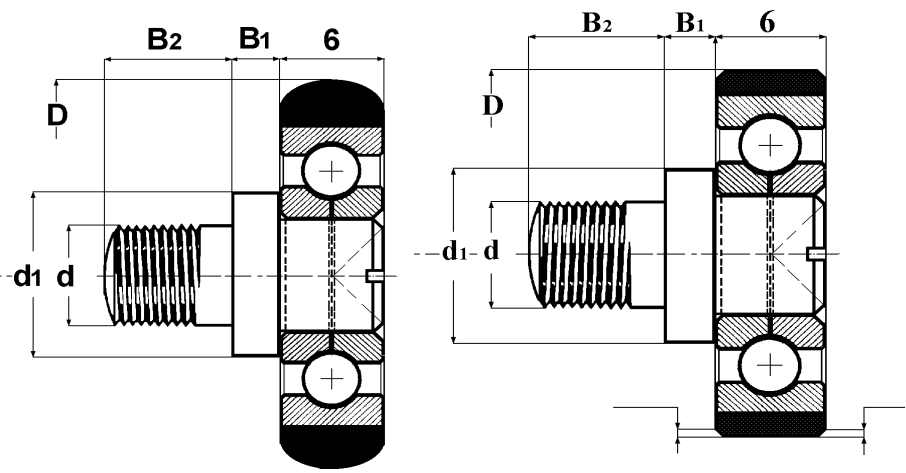
Technical Data
 Cage Ball bearings with inner ring or pins
 according to customer's design

Uses:
 Ball bearings particularly indicated
 for shower cabins



STEEL BALL BEARINGS WITH NYLON LINING

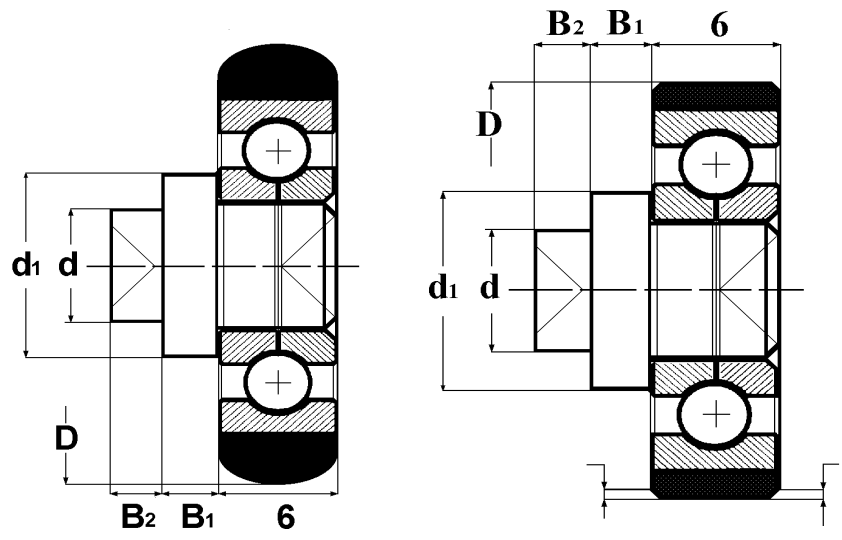
STEEL BALL BEARINGS WITH NYLON LINING AND INCORPORATED PIN SCREW



TYPE	CODE	D	d	d1	B1	B2
TRV 24/5/10	52470	24	M6	10	5	10
TRV 24/3/10	52471	24	M6	10	3	10
TRV 25/5/10	52570	25	M6	10	5	10
TRV 25/3/10	52571	25	M6	10	3	10
TRV 25/5/10	52550	25	M6	13	5	10
TRV 25/3/10	52551	25	M6	13	3	10
TRV 25/7/10	52553	25	M6	13	7	10
TRV 25/4/13	52561	25	M8	13	4	13
TRV 28/5/10	52850	28	M6	13	5	10
TRV 28/3/10	52851	28	M6	13	3	10
TRV 28/7/10	52853	28	M6	13	7	10
TRV 28/4/13	52861	28	M8	13	4	13
TRV 30/5/10	53050	30	M6	13	5	10
TRV 30/3/10	53051	30	M6	13	3	10
TRV 30/7/10	53053	30	M6	13	7	10
TRV 30/4/13	53061	30	M8	13	4	13
TRV 33/5/10	53350	33	M6	13	5	10
TRV 33/3/10	53351	33	M6	13	3	10
TRV 33/7/10	53353	33	M6	13	7	10
TRV 33/4/13	53361	33	M8	13	4	13

On request pin according to customer's design

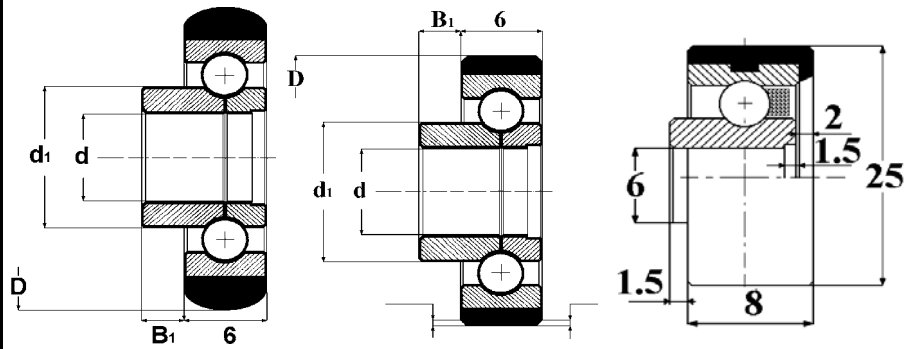
STEEL BALL BEARINGS WITH NYLON LINING AND INCORPORATED RIVET



TYPE	CODE	D	d	d1	B1	B2
TRR 24/1/3	52485	24	6	10	1	3
TRR 24/5/4	52486	24	6	10	5	4
TRR 25/1/3	52585	25	6	10	1	3
TRR 25/5/4	52586	25	6	10	5	4
TRR 25/4/4	52580	25	6	13	4	4
TRR 25/2/4	52581	25	6	13	2	4
TRR 25/3/4	52583	25	6	13	3	4
TRR 25/4/5	52582	25	8	13	4	5
TRR 28/4/4	52880	28	6	13	4	4
TRR 28/2/4	52881	28	6	13	2	4
TRR 28/3/4	52883	28	6	13	3	4
TRR 28/4/5	52882	28	8	13	4	5
TRR 30/4/4	53080	30	6	13	4	4
TRR 30/2/4	53081	30	6	13	2	4
TRR 30/3/4	53083	30	6	13	3	4
TRR 30/4/5	53082	30	8	13	4	5
TRR 33/4/4	53380	33	6	13	4	4
TRR 33/4/2	53381	33	6	13	2	4
TRR 33/4/3	53383	33	6	13	3	4
TRR 33/4/5	53382	33	8	13	4	5

On request rivet according to customer's design

STEEL BALL BEARINGS WITH NYLON LINING AND INNER HOLE



TYPE	CODE	D	d	d1	B1	NOTE
TRF5 22/0/5	52298	22	5	10	5,9	CAGE
TRF6 22/0/1	52299	22	6	10	1,5	CAGE
TRF5 24/0/5	52498	24	5	10	5,9	CAGE
TRF6 24/0/1	52499	24	6	10	1,5	CAGE
TRF5 25/0/5	52598	25	5	10	5,9	CAGE
TRF6 25/0/1	52599	25	6	10	1,5	CAGE
TRF5 25/1/1	52590	25	5	13	1	FILLING
TRF8 25/0/1	52591	25	8	13	1	FILLING
TRF5 28/1/1	52890	28	5	13	1	FILLING
TRF8 28/0/1	52891	28	8	13	1	FILLING
TRF5 30/1/1	53090	30	5	13	1	FILLING
TRF8 30/0/1	53091	30	8	13	1	FILLING
TRF5 33/1/1	53390	33	5	13	1	FILLING
TRF8 33/0/1	53391	33	8	13	1	FILLING

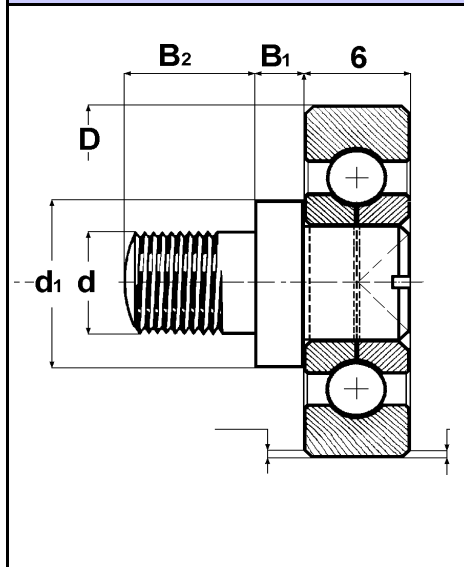
On request inner ring according to customer's design

Materials:
Rings, Pins screw, Rivets in Galvanized steel. Lining in nylon6/6 + 30% fiberglass. Balls in Chrome hardened steel



GALVANIZED STEEL BALL BEARINGS

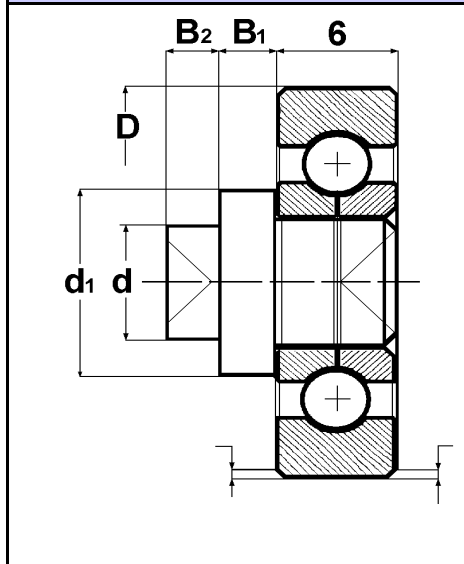
GALVANIZED STEEL BALL BEARINGS WITH INCORPORATED PIN SCREW



TYPE	CODE	D	d	d1	B1	B2
TAV 22/5/10	72250	22	M6	13	5	10
TAV 22/3/10	72251	22	M6	13	3	10
TAV 22/7/10	72253	22	M6	13	7	10
TAV 22/4/13	72261	22	M8	13	4	13
TAV 25/5/10	72550	25	M6	13	5	10
TAV 25/3/10	72551	25	M6	13	3	10
TAV 25/7/10	72553	25	M6	13	7	10
TAV 25/4/13	72561	25	M8	13	4	10
TAV 28/5/10	72850	28	M6	13	5	10
TAV 28/3/10	72851	28	M6	13	3	10
TAV 28/7/10	72853	28	M6	13	7	10
TAV 28/4/13	72861	28	M8	13	4	13
TAV 30/5/10	73050	30	M6	13	5	10
TAV 30/3/10	73051	30	M6	13	3	10
TAV 30/7/9	73053	30	M5	13	7	10
TAV 30/4/12	73061	30	M7	13	4	13



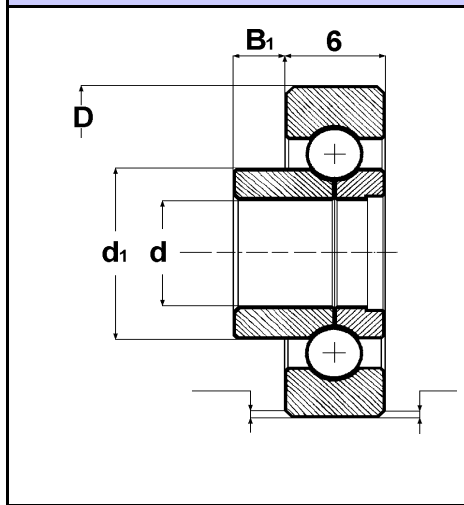
GALVANIZED STEEL BALL BEARINGS WITH INCORPORATED RIVET



TYPE	CODE	D	d	d1	B1	B2
TAR 22/4/4	72280	22	6	13	4	4
TAR 22/2/4	72281	22	6	13	2	4
TAR 22/3/4	72283	22	6	13	3	4
TAR 22/4/5	72282	22	8	13	4	5
TAR 25/4/4	72580	25	6	13	4	4
TAR 25/2/4	72581	25	6	13	2	4
TAR 25/3/4	72583	25	6	13	3	4
TAR 25/4/5	72582	25	8	13	4	5
TAR 28/4/4	72880	28	6	13	4	4
TAR 28/2/4	72881	28	6	13	2	4
TAR 28/3/4	72883	28	6	13	3	4
TAR 28/4/5	72882	28	8	13	4	5
TAR 30/4/4	73080	30	6	13	4	4
TAR 30/2/4	73081	30	6	13	2	4
TAR 30/3/4	73083	30	6	13	3	4
TAR 30/4/4	73082	30	8	13	4	5



GALVANIZED STEEL BALL BEARINGS WITH INNER HOLE



TYPE	CODE	D	d	d1	B1	NOTE
TAF 22/1/1	72290	22	5	13	1	FILLING
TAF 22/0/1	72291	22	8	13	1	FILLING
TAF 25/1/1	72590	25	5	13	1	FILLING
TAF 25/0/1	72591	25	8	13	1	FILLING
TAF 28/1/1	72890	28	5	13	1	FILLING
TAF 28/0/1	72891	28	8	13	1	FILLING
TAF 30/1/1	73090	30	5	13	1	FILLING
TAF 30/0/1	73091	30	8	13	1	FILLING

Materials:
 Outer ring, pin screw, rivet, inner ring in Steel
 Balls in Chrome hardened steel (UNI 100 C6)

Treatments:
 Yellow galvanizing



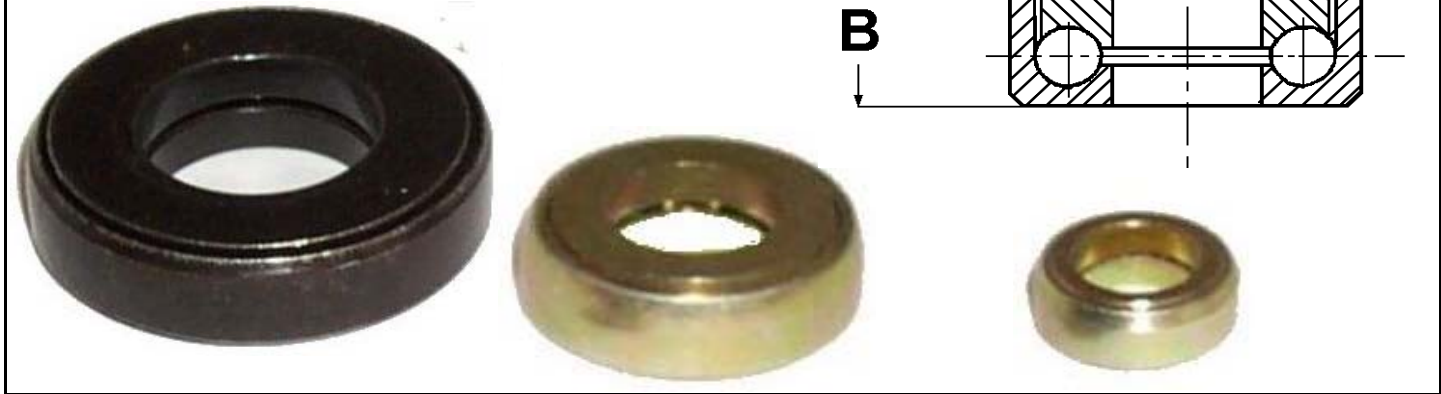
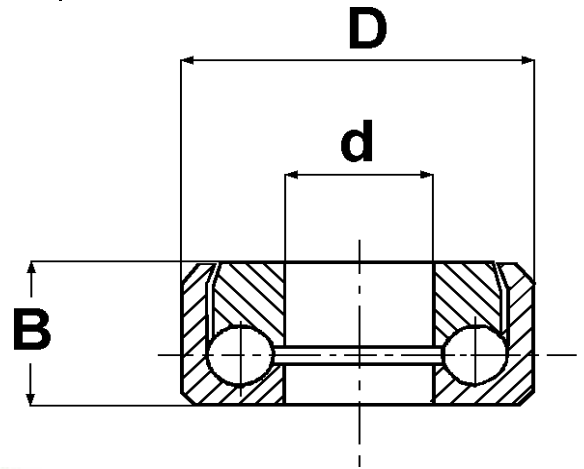
On request Steel Ball bearings according to customer's design



AXIAL BALL BEARINGS

BRASS OR STEEL AXIAL BALL BEARINGS

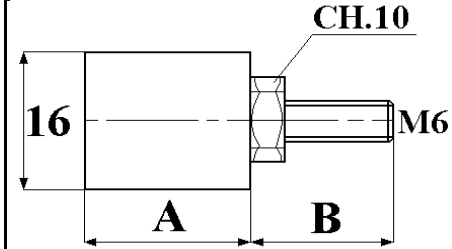
TYPE	CODE	D	d	B	Material
THRUST 15	1706	15	9	6	Brass
THRUST 17,5	1701	17,5	6,4	6,4	Galvanized steel
THRUST 20	1707	20	8,5	7,1	Galvanized steel
THRUST 22	1704	22	12	4,1	Galvanized steel
THRUST 24	1703	24	12	7,8	Galvanized steel
THRUST 26,6	1702	26,6	13	10,6	Galvanized steel
THRUST 32	1708	32	20	9,2	Galvanized steel
THRUST 40	1709	40	20	11	Galvanized steel



ROLLERS

ROLLERS WITH BALLS DOUBLE WREATH

CODE	A	B	Materials:	CODE	A	B
2/790020/1	20	14	Hardened and galvanized steel Balls in Chrome hardened steel (UNI 100 C6) For serie 2/790021 only: Lining in greys PVC	2/790021/1	20	14
2/790020/2	35	14		2/790021/2	35	14
2/790020/3	20	24		2/790021/3	20	24
2/790020/4	35	24		2/790021/4	35	24



Execution according to customer's design.
Single or double balls wreath

